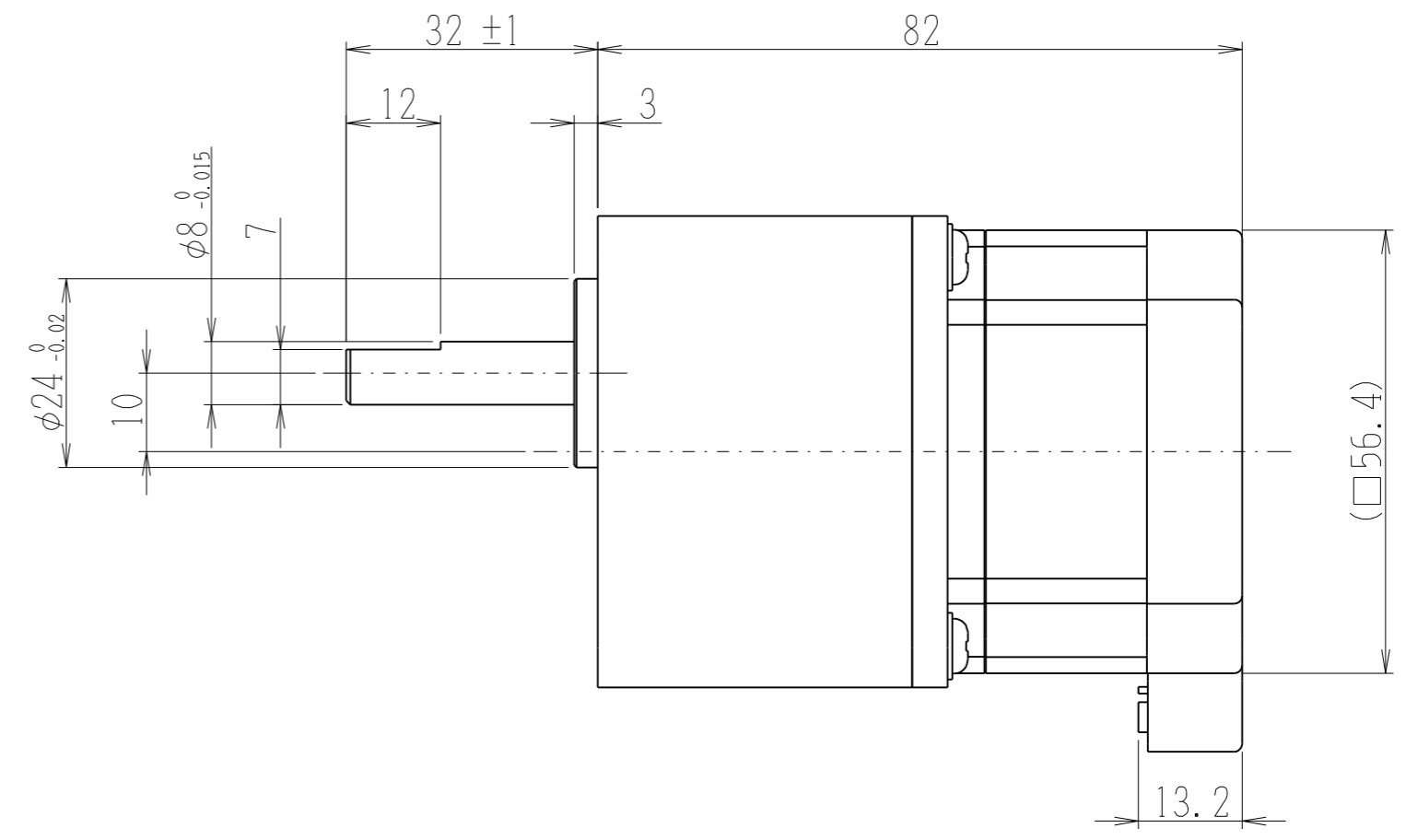
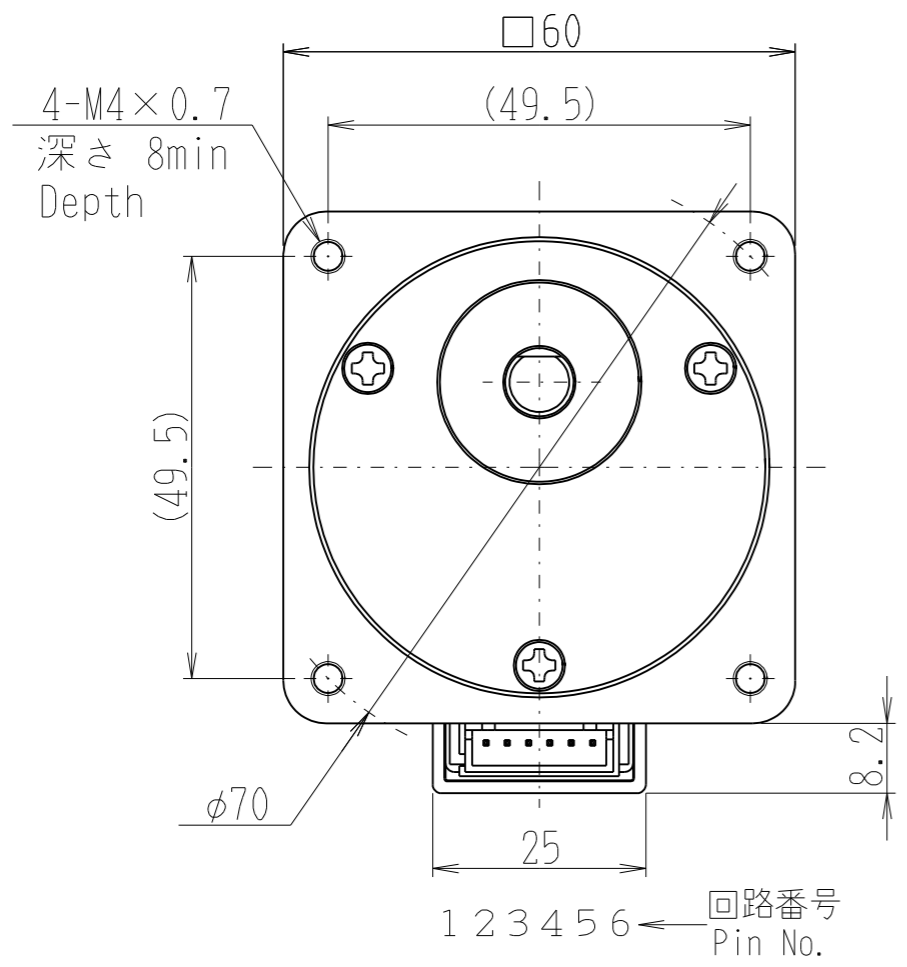


PDSB-UD



Header	JST:B6B-XH-A(LF)(SN)
Mating connector	JST:XHP-6