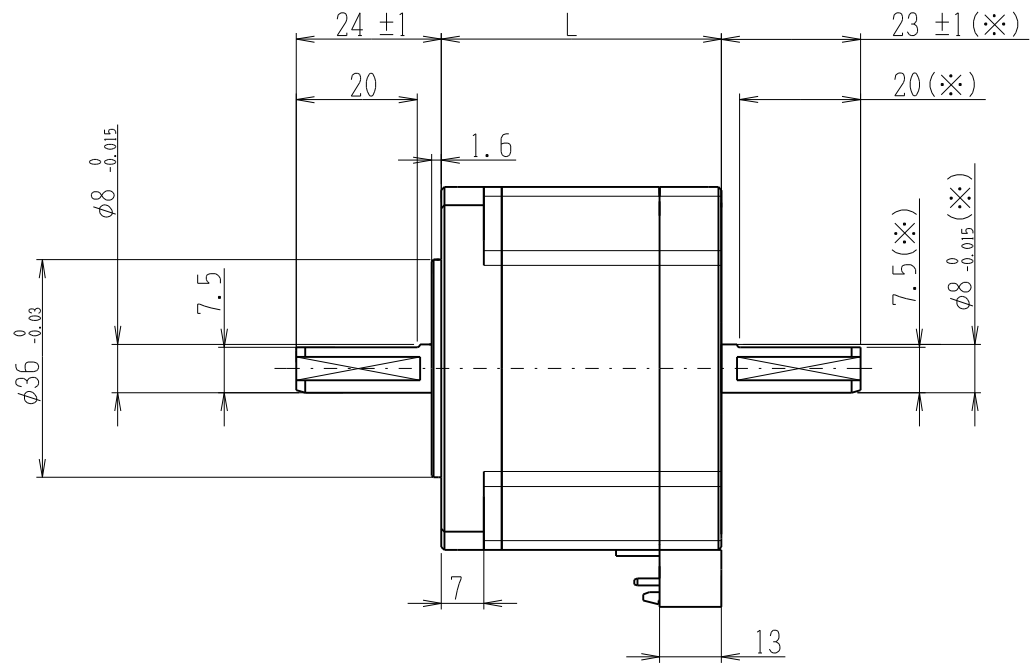
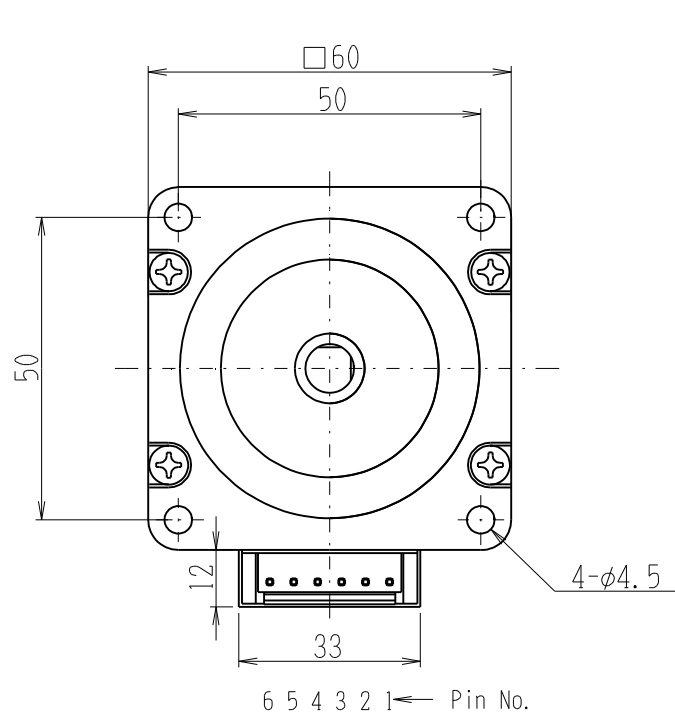


PDSA-UT

(C) ShinanoKenshi Co., Ltd. All rights reserved.



※両軸タイプのみの寸法です
Dimensions apply to double shaft models.

Header	JST:B6P-VH(LF)(SN)
Mating connector	JST:VHR-6N

品名 Model No.	モータ長L(mm) Motor length
PMSA-U60D1■	46.3
PMSA-U60D3■	55.8
PMSA-U60D5■	87.8