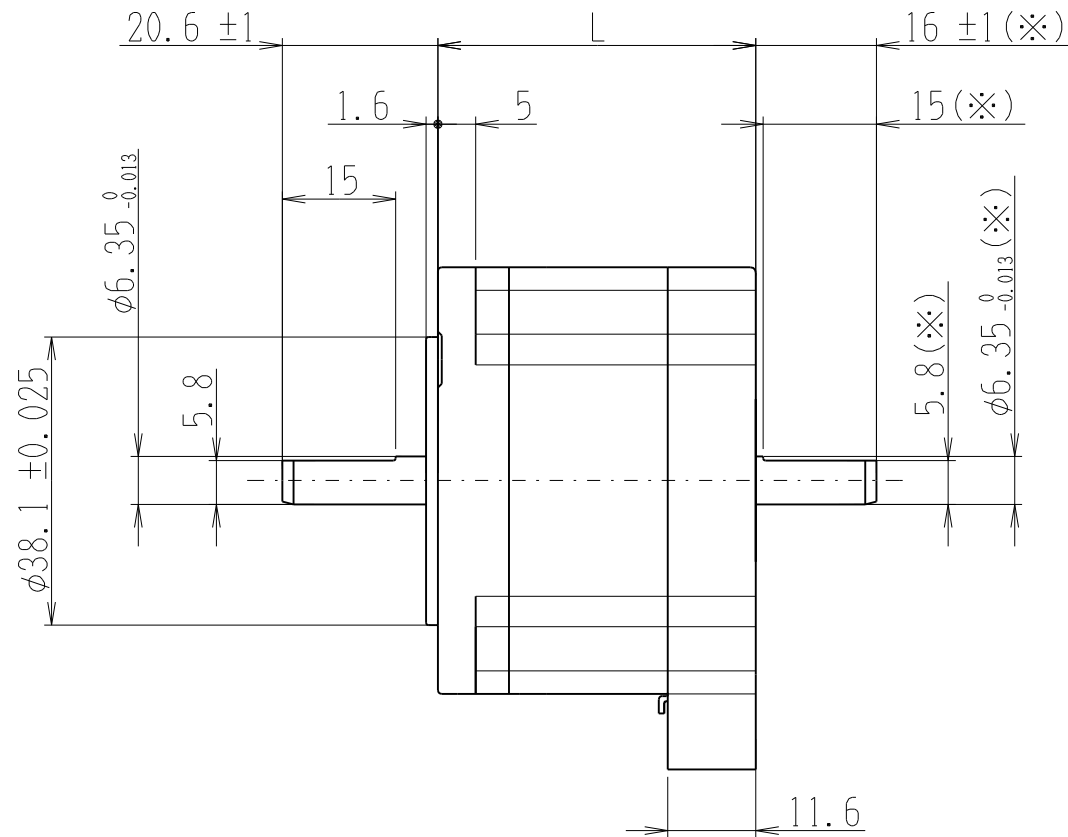
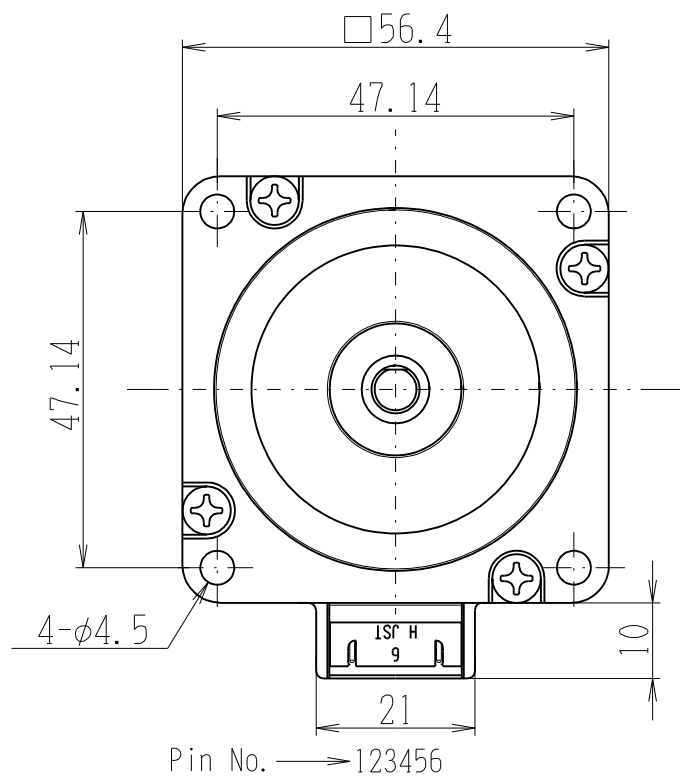


PDSA-UT

(C) ShinanoKenshi Co., Ltd. All rights reserved.



※両軸タイプのみの寸法です  
Dimensions apply to double shaft models.

Header	JST:S 6B-XH-A-1
Mating connector	JST:XHP-6

品名 Model No.	モータ長L (mm) Motor length
PMSA-U56D1	42.0
PMSA-U56D3	54.5
PMSA-U56D5	77.5