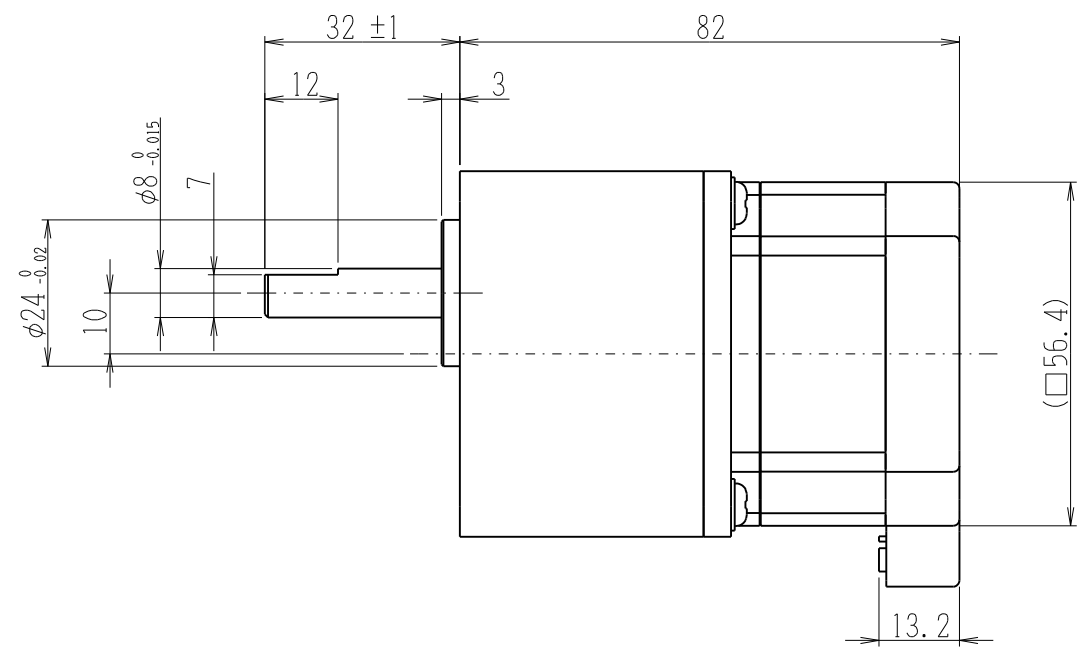
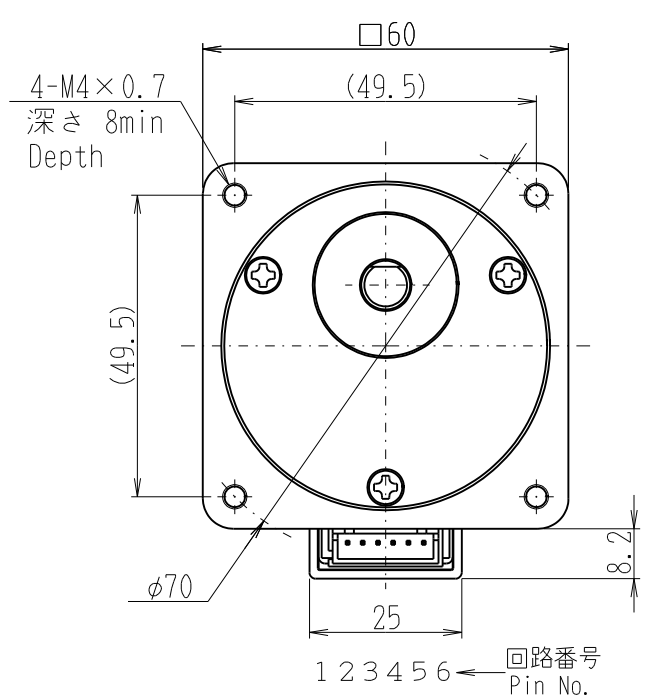


PDSA-UT

(C) ShinanoKenshi Co., Ltd. All rights reserved.



Header	JST:B6B-XH-A(LF)(SN)
Mating connector	JST:XHP-6