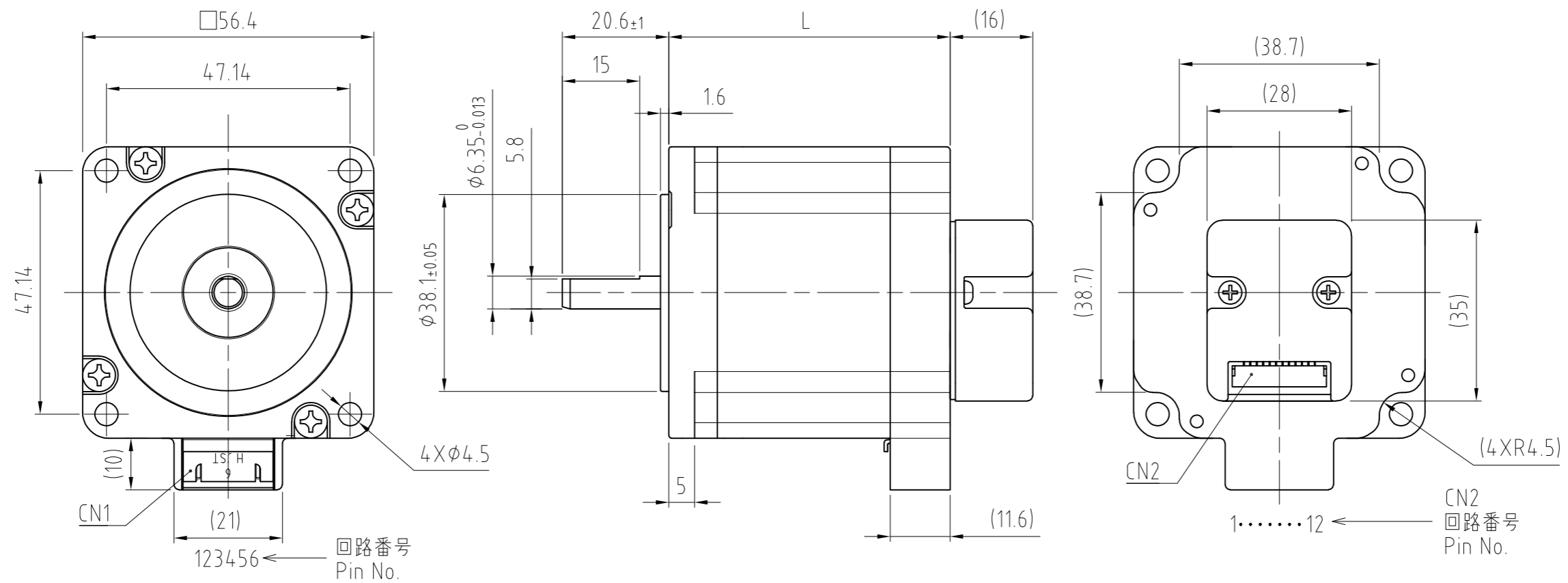


(C)Shinano Kenshi Co., Ltd. All rights reserved.



CN1

Header	J.S.T. : S6B-XH-A-1(LF)(SN)
Mating connector	J.S.T. : XHP-6

CN2

Header	J.S.T. : SM12B-GHS-TB
Mating connector	J.S.T. : GHR-12V-S

品名 Model No.	モータ長L(mm) Motor length
PMSA-■56D1■E-N■	42
PMSA-■56D3■E-N■	54.5
PMSA-■56D5■E-N■	77.5

(C) Shinano Kenshi Co.,Ltd All rights reserved.